

# ECLIPSE 2 PARTITIONS BASIC INSTALLATION GUIDE

## Step 1: Install Wall Brackets

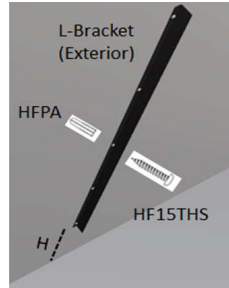
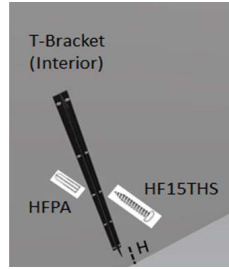
Available in 54", 61" and 71" lengths

### Parts:

- T-Brackets (HB##TA-EP)
- L-Brackets (HB##LA-EP)
- Plastic Anchors (HPA)
- 2-1/2" Torx Screws (HF15THS)

### Tools:

- Tape Measure
- Drill
- Level
- 5/16" Drill Bit
- T27 Torx Bit
- Factory Supplied Drawings



Bracket Height (H): Add 1/2" to desired panel height above finished floor

**Step 1:** Refer to 'Post, Headrail & Bracket Layout' and 'Elevation' pages from factory supplied drawings to find side panel centerline and panel height above finished floor dimensions.

**Step 2:** Position wall bracket 1/2" above desired side panel height above finished floor (i.e. if side panel is 14" a.f.f., the bottom of the bracket is 14-1/2" a.f.f.).

**Step 3:** Mark bracket hole locations and pre-drill holes with 5/16" drill bit. Insert plastic anchors. Secure bracket to wall using 2-1/2" Torx screws.

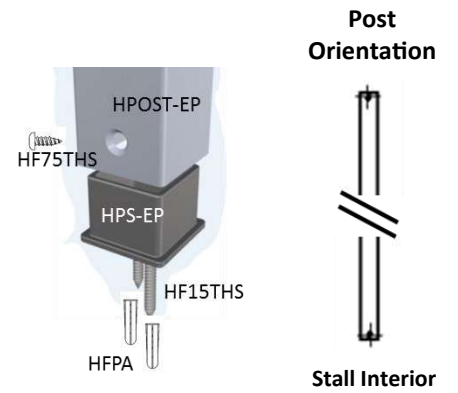
## STEP 2: Install Feet and Posts

### Parts:

- Feet (HPS-EP)
- Post (HPOSTOUT-EP2)
- Plastic Anchors (HPA)
- 3/4" Torx Screws (HF75THS)
- 1-1/2" Torx Screws (HF15THS)

### Tools:

- Chalk Line
- Tape Measure
- Drill
- 5/16" Drill Bit
- T27 Torx Bit
- Factory Supplied Drawings



**Step 1:** Refer to 'Post, Headrail & Bracket Layout' pages from factory supplied drawings to find 'Center of Post' dimension. Drop chalk line at this dimension across front of system.

**Step 2:** Mark centerline of each foot/post from side wall. Center foot on cross section of chalk line and centerline. Mark foot hole locations.

**Step 3:** Pre-drill holes with 5/16" drill bit. Insert plastic anchors. Secure foot to floor using 1-1/2" Torx screws.

**Step 4:** Slide Post over the foot making sure that the Pre-Drilled holes at the top and bottom of the post **ALWAYS** face the inside of the stall. Treat Alcoves the same with the holes facing the inside of the stall.

**Step 5:** Secure post to foot using 3/4 in. Torx screws.

## STEP 3: Install & Level Headrail

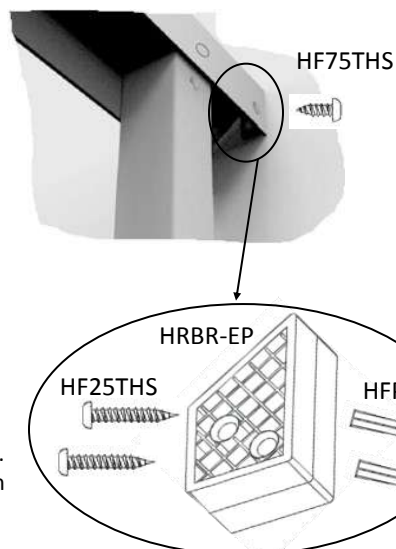
Headrail supplied in 12" increments; field cut to exact dimensions as needed.

### Parts:

- Headrail Caps (HRCAP-EP, HRCCAP-EP, HR3WLCAP-EP, HR3WRCAP-EP)
- Headrail (HR36-EP, HR48-EP, HR60-EP, HR72-EP, HR84-EP)
- Headrail Wall Bracket (HRBR-EP)
- Plastic Anchors (HPA)
- 3/4" Torx Screws (HF75THS)
- 2-1/2" Torx Screws (HF25THS)

### Tools:

- Tape Measure
- Drill
- Circular Saw with Metal Blade
- Laser Level
- Framing Square
- 3/16", 5/16" Drill Bits
- T27 Torx Bit
- Factory Supplied Drawings



**Step 1:** Insert proper headrail cap into each post. Find **highest post** and use laser level to mark high point on side wall.

**Step 2:** Subtract 1" from 'Center of Post' dimension on factory supplied drawing. Measure this dimension from back wall and mark 'X' where it intersects at the laser level. Align top of HRBR-EP with 'X' and mark hole locations. Drill holes using 5/16" drill bit, insert plastic anchors and secure bracket to wall using 2-1/2" Torx screws.

**Step 3:** Starting at the wall, place proper length headrail over wall bracket and caps. While holding outer post level and headrail tight against wall, mark center of post on headrail as cut line. Cut headrail using circular saw with metal blade.

**Step 4:** Place cut headrail over headrail wall bracket and secure headrail to wall bracket by pre-drilling a hole in back of headrail using 3/16" drill bit and inserting 3/4" Torx screws.

**Step 5:** Lift headrail cap in outer post until headrail is level. Secure cap in post using 3/4" Torx screws. Secure headrail to cap by pre-drilling a hole in back of headrail using 3/16" drill bit and inserting 3/4" Torx screws. Continue to secure headrail to each cap in this section of headrail. Pull each cap to meet level headrail before securing cap to post and headrail to cap.

**Step 6:** Repeat steps 3-5 until all headrail is installed and leveled.

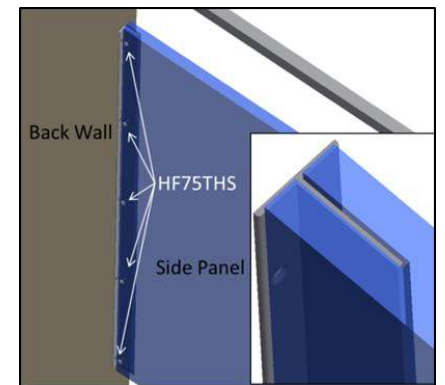
## STEP 4: Install Side Panels

### Parts:

- Side Panels
- 3/4" Torx Screws (HF75THS)
- 2-1/4" Torx Screws (HF215THS)

### Tools:

- Drill
- 3/16" Drill Bit
- T27 Torx Bit
- Rubber Mallet
- Level
- Spacer Blocks or Adjustable Supports
- Dowel Kit (Modular Panels Only)

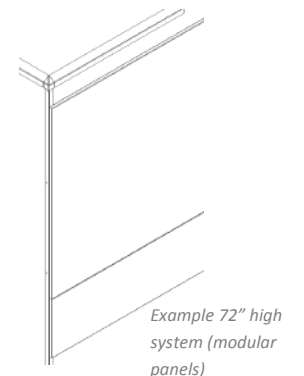


When panel height exceeds 55", side panels consist of two modular pieces. Refer to dowel installation instructions for modular panels.

**Step 1:** Slide the slotted edge of the side panel onto the T or L bracket. Use a rubber mallet to align the front edge of the panel with the front edge of the post and set the panel at the correct height above the finished floor. Use spacer blocks or adjustable supports to support the panel at the correct height.

**Step 2:** Pre-drill side panel through top and bottom post holes only using 3/16" drill bit with 2" stop and secure side panel to post at these locations using 2-1/4" Torx screws.

**Step 3:** Pre-drill side panel and T or L bracket using 5/32 in. drill bit with 1/2" stop and secure side panel to wall bracket using 3/4" Torx screws.



## ECLIPSE 2 PARTITIONS BASIC INSTALLATION GUIDE cont.

### STEP 5: Install Doors & Fixed Panels

Available in 54 in., 62 in. and 72 in. lengths.

#### Parts:

- Doors
- Fixed Panels
- Fixed Panel Brackets (HB##LAFIX-EP2)
- Hinges (HH##SCAMUEP2)
- #8 x 1" Countersink Screws
- 3/4" Torx Screws (HF75THS)
- 2-1/4" Torx Screws (HF215THS)

#### Tools:

- Drill
- Level
- 1/8 in. and 3/16 in. Drill Bits
- #2 Phillips and T27 Torx Bits
- Spacer Blocks or Adjustable Supports
- Factory Supplied Drawings

**Step 1:** Refer to Figure 1 Mount the 3" piece filler panel to the wall 1" behind your overall dimension and at the correct a.f.f.

*Example: If the O.A. dimension is 61", then the frontside of the plastic should be 60" from the wall. It should be flush with the front of the post.*

Attach a fixed panel bracket to the open side of the post and secure the post to the plastic with 2-1/4" torx screws. The Fixed Bracket will now be even with the front of the post.

**Step 2:** Refer to Figure 2 & 3 Bump the first piece of plastic up against the wall and maintain the required a.f.f.

Secure the fixed panel to the bracket using 3/4" torx screws. Then secure the post to the fixed panel by inserting 2 1/4" torx screws through the pre-drilled holes in the back of the post.

**Step 3:** Refer to Figure 4 Place the hinge next to the **SIDE** of the first fixed panel. Be sure the edge is flush with the face of the plastic. The Eclipse 2 hinge will be mounted closer to but NOT flush with the top of the doors and panels. Being careful to pre-drill the 1/8" pilot hole in the center of the hinge holes, secure the hinge to the panel using the supplied 1" Phillips head screws.

**Step 4:** Refer to Figure 5 Place a spacer underneath the door and bring it up to the hinge.

*When the hinge is open, it will raise slightly higher than the fixed panel. Do not make the door level with the fixed panel in the open position. When the door closes, it will be drop lower than the fixed panels because of the gravity feature. Begin to mount the hinge to the door the same way as the fixed panels.*

Figure 1: Post to Wall Plastic Connection

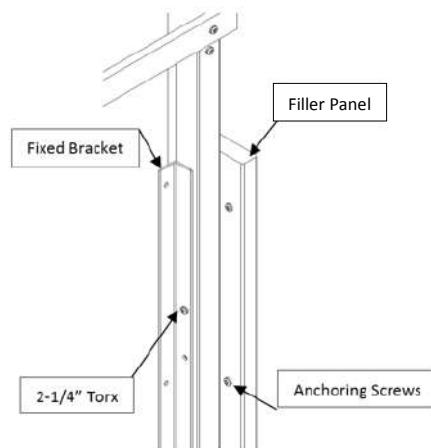


Figure 2: Fixed Panel to Post Connection

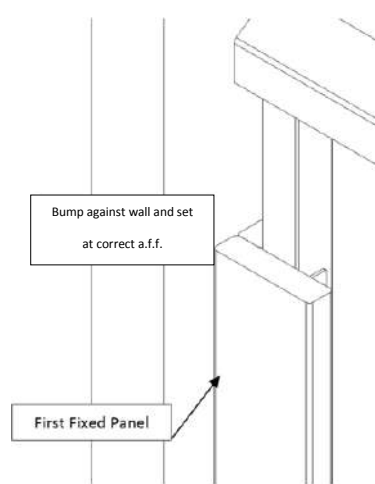


Figure 3: Screw Placements

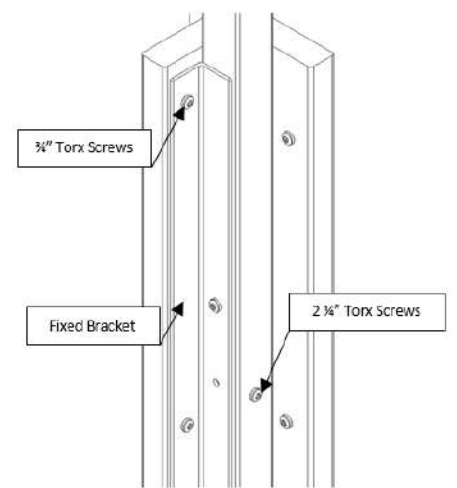


Figure 4: Hinge to Pilaster

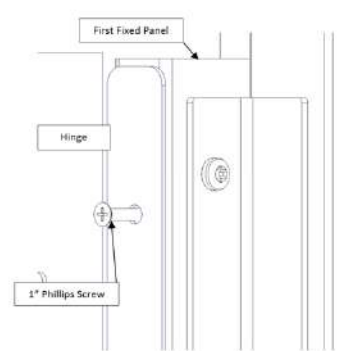
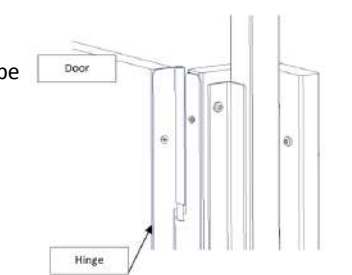


Figure 5: Door to Hinge



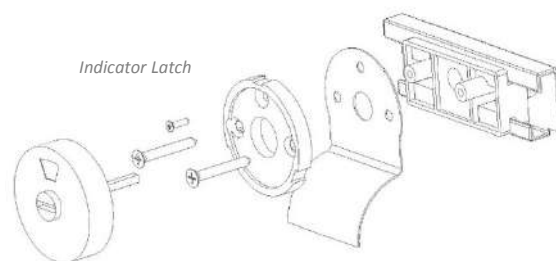
### STEP 6: Install Door Hardware

#### Parts:

- Indicator Latch Box
- ADA Extra Handle
- Coat Hook/Bumper
- Wall Stop
- 5/8 in. One Way Screw
- #10 1-1/2" Countersink Screws

#### Tools:

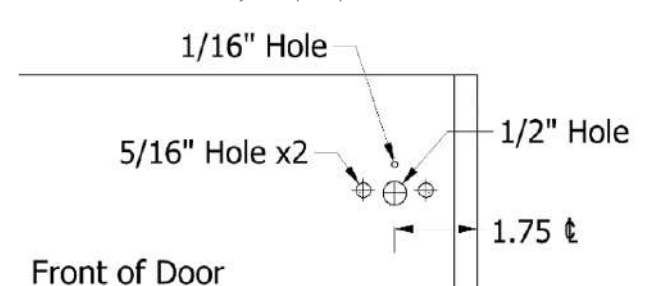
- Electric/Battery Operated Drill
- 1/2 in., 5/16 in., 1/8 in. Drill Bits
- #2 Phillips Head



#### Installing Indicator Latch

1. Place Template sticker on door with the center of the largest hole being approximately 1-3/4" from the edge of the door. With template in place drill holes completely through the door with the correct sized bits (1/2" & 5/16"). *On fire rated material it is strongly recommended to use a smaller bit for starter holes which will make process easier.*
2. While holding the handle behind the round, black, plastic attachment piece, use the longer countersunk screws provided to secure them through the door and into the black plastic holes in the slide latch on the other side.
3. Drill a small hole into the top screw hole in the front facing round black piece and secure with the small countersunk screw.
4. Place the square pin into the back of the indicator circle and be sure the Red indication color is in the proper position to appear when the latch is in the closed position.
5. Slide the square pin through the large center hole and into the slide latch on the other side.
6. Make sure the indicator circle is secured with the small tabs over the black plastic piece.
7. With the remaining two screws, place the keeper on the adjacent surface and position so that the slide latch can engage once it has rotated the indication into the red position on the front of the door.

Dimensions for template placement



#### Install Coat Hook and Bumper

**Step 1:** Locate proper positioning as described below. Drill 1/8" pilot holes with 1/2" stop and secure with #10-5/8" one-way screws.

**Step 2:** Coat Hook, Non-ADA Doors: 5" down in upper corner opposite hinge on **door interior**.

**Step 3:** Coat Hook, ADA Doors: Max height of 54" a.f.f., centered on **door interior**.

**Step 4:** Wall Stop Bumper (Outswing Doors Only): 3" down in upper corner opposite hinge on **door exterior**.

Coat Hook & Bumper Dimensions

