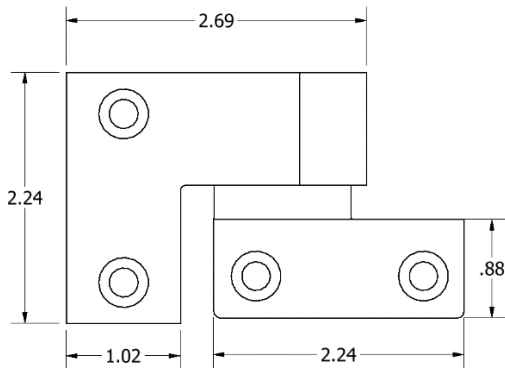


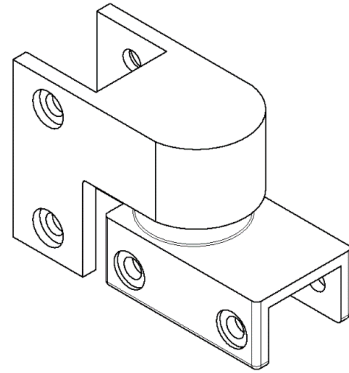
# HINGES

## Stainless Steel Gravity (Vault) Hinges

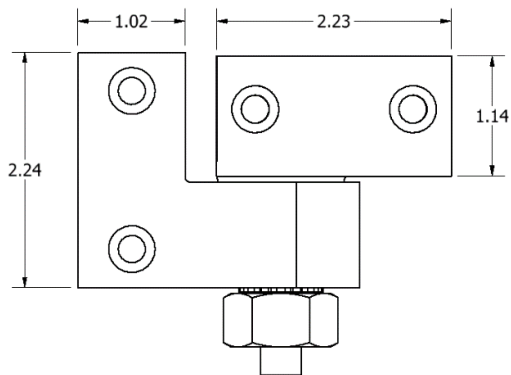
TOP HINGE – FRONT VIEW



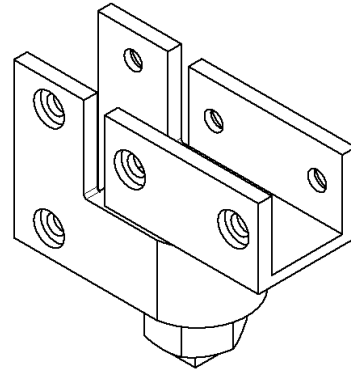
TOP HINGE - ISOMETRIC VIEW



BOTTOM HINGE - FRONT VIEW



TOP HINGE – ISOMETRIC VIEW



NOTES:

Shown is the stainless steel (Vault) hinge provided by Scranton Products. This hinge is made from 304 stainless steel and has a gravity close feature that is compatible with Emergency Access requirements.

NOTE: Job specific specifications for all orders are located on shop drawing layouts  
(Drawings are not to scale)