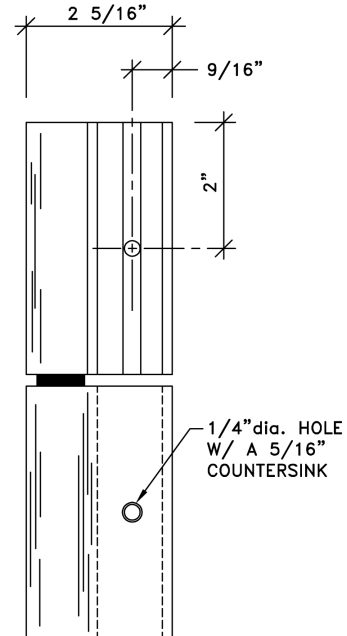
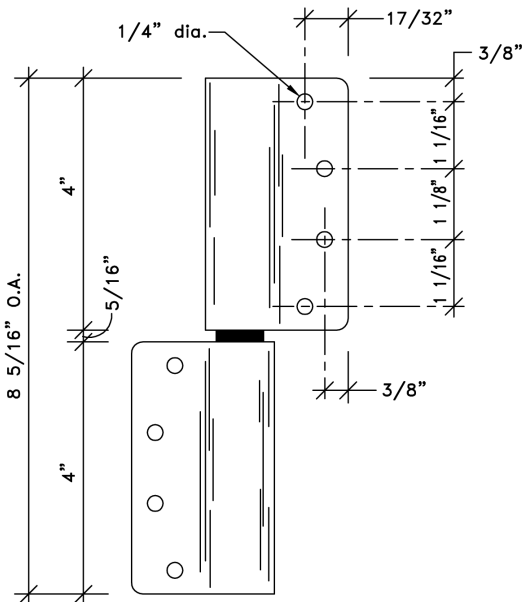
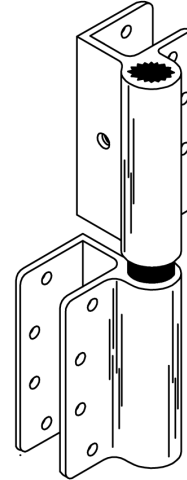
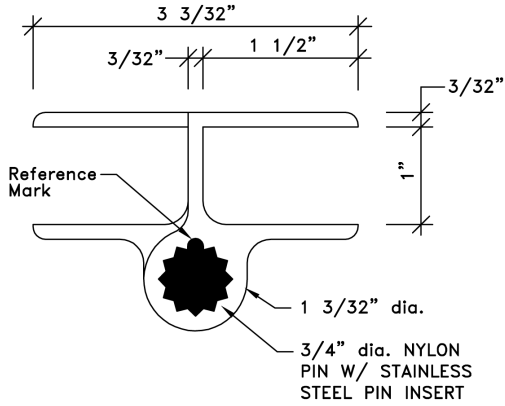


HINGES

8" Aluminum Wrap Around



NOTES:

Shown is the heavy duty extruded aluminum (6463-T5 alloy) 8" wrap around hinge as supplied by Scranton Products. The hinge has a bright dipped anodized finish. The top hinge (as shown) contains the cam mechanism in it to insure that the door returns fully closed. Hinges can be adjusted in the field for proper operation.

NOTE: Job-Specific Specifications for all orders are located on shop drawing layouts.

(Drawings are not to scale)