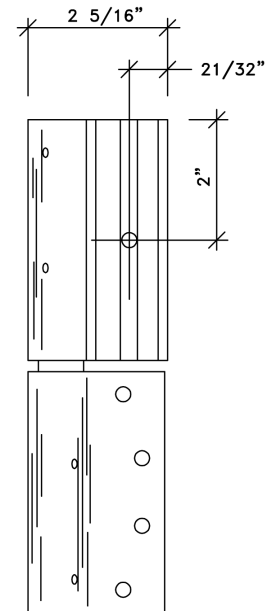
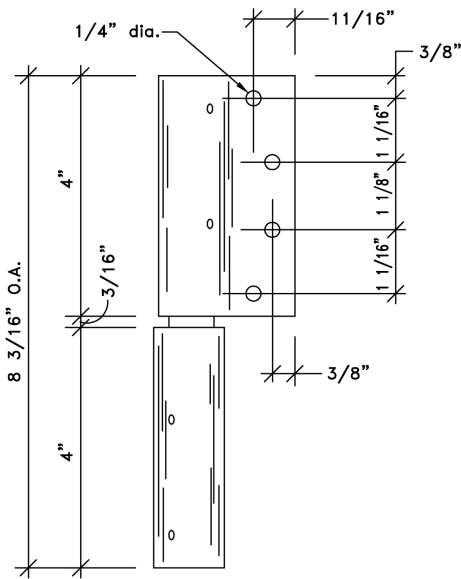
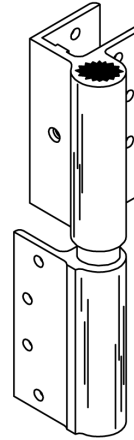
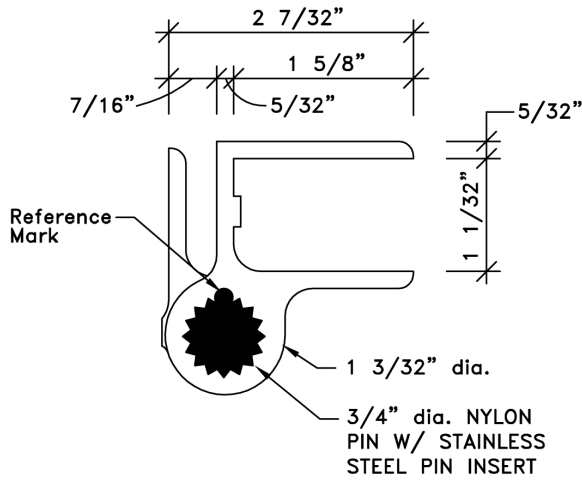


# HINGES

## 8" Aluminum Wrap Around - Surface Mount



### NOTES:

Shown is the heavy duty extruded aluminum (6463-T5 alloy) 8" surface mounted hinge as supplied by Scranton Products. The hinge has a bright dipped anodized finish. A 1/2" cardboard spacer is placed on the nylon pin between the two parts of the bottom hinge, so that there is enough room for the lower half of the bottom hinge to move up with the cam action in the top hinge. (Note: This spacer cannot be removed until after the hinges are installed.)

NOTE: Job-Specific Specifications for all orders are located on shop drawing layouts.  
(Drawings are not to scale)