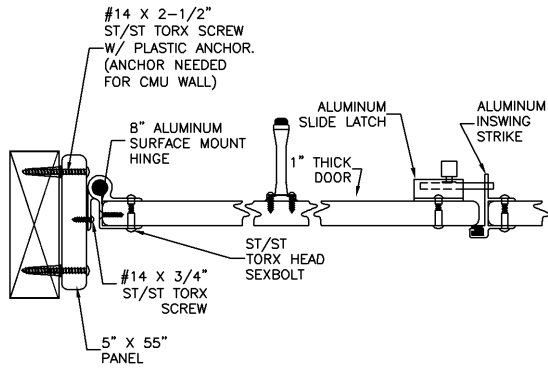


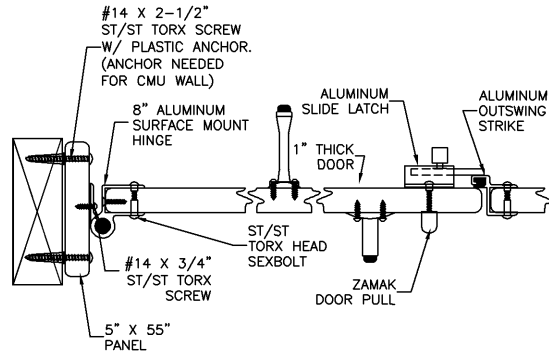
# HINGES

## 8" Surface Mount Hinge Solid Plastic Mount

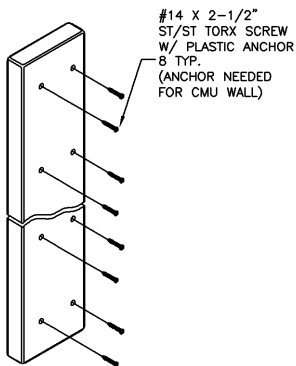
PLAN ELEVATION - INSWING



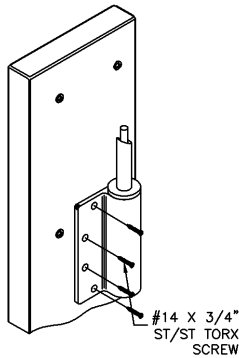
PLAN ELEVATION - OUTSWING



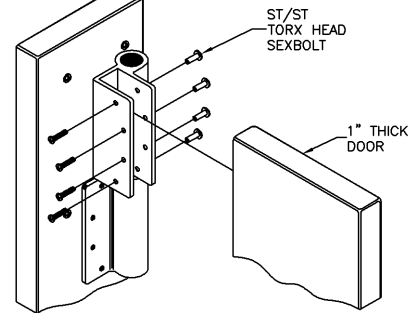
STEP #1



STEP #2



STEP #3



### Surface Mounted Hinge Installation Instructions

1. Using the supplied 2 1/2" torx head screws attach panel to wall at 14" above the finished floor standard.
2. See Installation Booklet for hinge attachment to the door.
3. Using Scranton Products Installation Instructions Booklet for reference, attach the hinges to the surface mounted panel using the 3/4" torx screws.

NOTE: Job-Specific Specifications for all orders are located on shop drawing layouts.

(Drawings are not to scale)