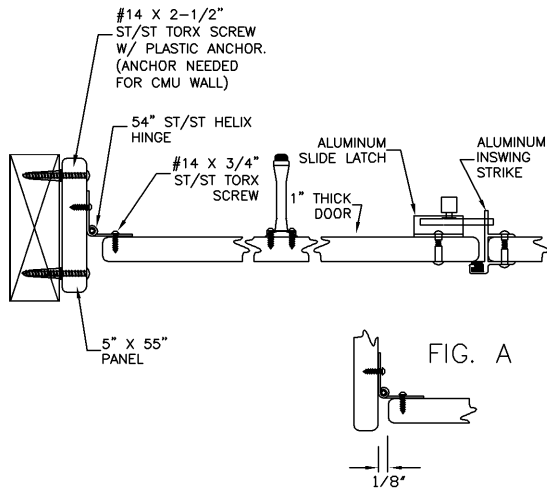


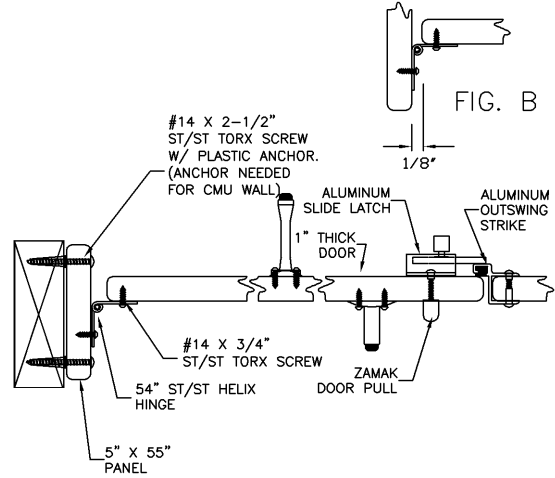
# HINGES

54" or 71" Stainless Steel Helix Hinge - Surface Mounted

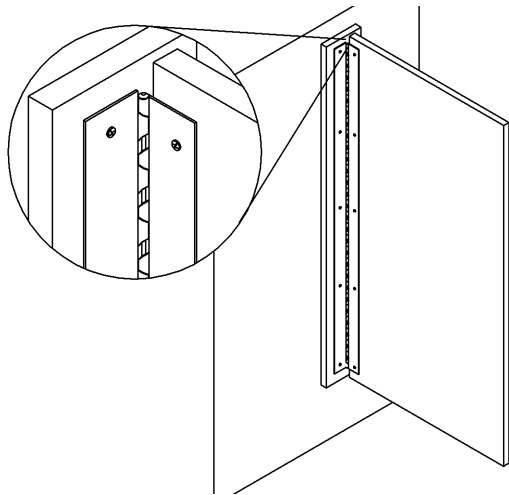
## PLAN ELEVATION - INSWING



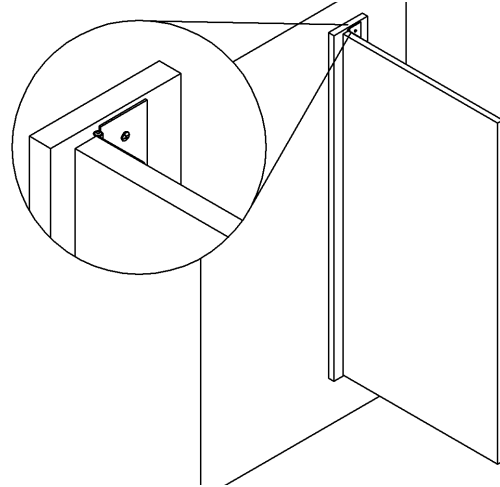
## PLAN ELEVATION - OUTSWING



## INSWING



## OUTSWING



### Surface Mounted Hinge Installation Instructions

1. Using the supplied 2 1/2" torx head screws attach the 5" x 55" panel to the wall at 14" above the finished floor, standard.
2. Using the 3/4" ST/ST torx screw attach the hinge to the panel.
3. Using the 3/4" ST/ST torx screw attach the door to the hinge with an approx. 1/8" gap between the door and panel surface (fig. A or fig. B)

NOTE: Job-Specific Specifications for all orders are located on shop drawing layouts.

(Drawings are not to scale)