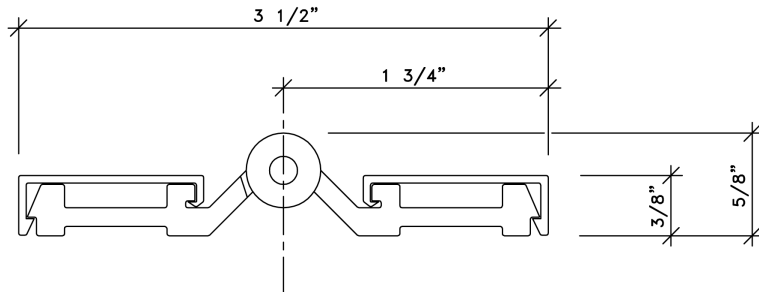


HINGES

54", 65" or 71" Surface Mounted Aluminum Continuous Hinge



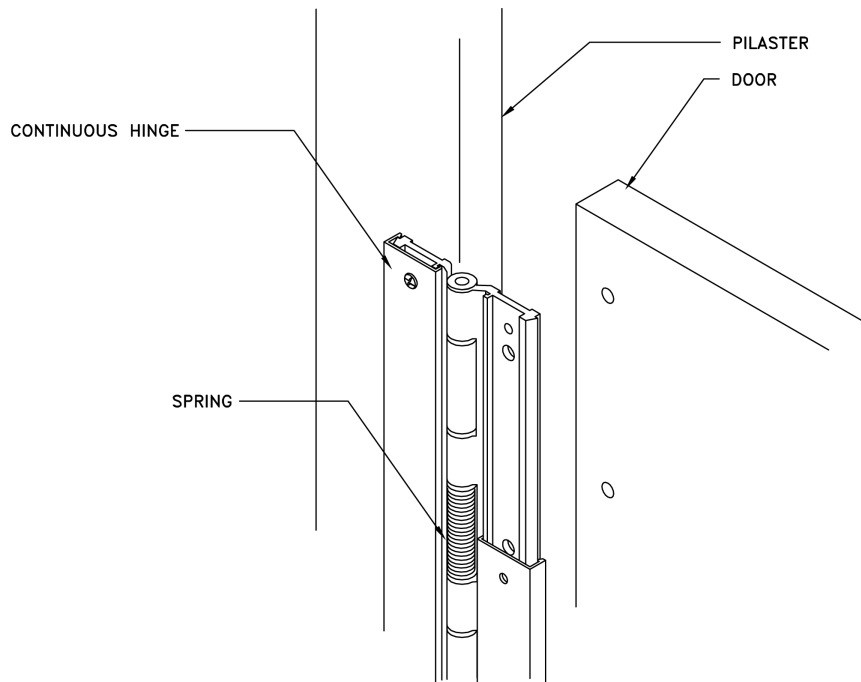
Note:

Shown is the 54", 65" or 71" continuous heavy duty extruded aluminum (6463-T5 alloy) hinge as supplied by Scranton Products.

Hinge can only be set to close position.

This hinge is spring loaded and is made to help the door close. The hinge has a bright dipped anodized finish.

Note: All continuous hinges are NON-Handed and Not Adjustable.



NOTE: Job-Specific Specifications for all orders are located on shop drawing layouts.

(Drawings are not to scale)