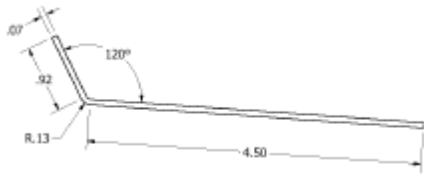


DOOR HARDWARE

Push Plate

TOP VIEW



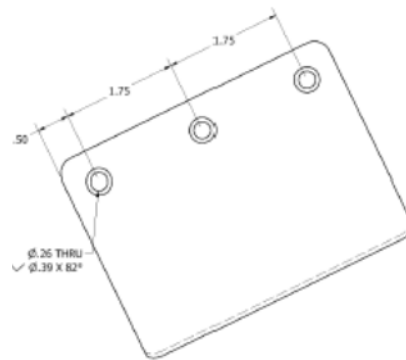
ISOMETRIC VIEW



FRONT VIEW



SIDE VIEW



NOTES:

Shown is the optional heavy duty extruded aluminum (6063-T5) door push plate.

The push plate is clear anodized finish.

NOTE: Job-Specific specifications for all orders are located on shop drawing layouts (Drawings are not to scale)