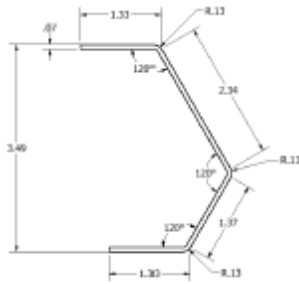


DOOR HARDWARE

Two Sided Pull Handle

TOP VIEW



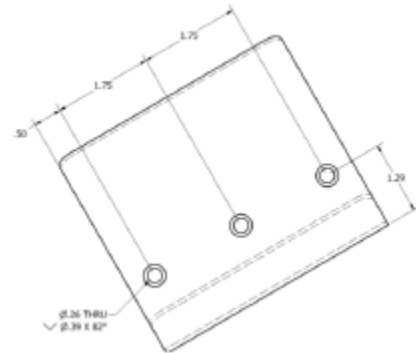
ISOMETRIC VIEW



FRONT VIEW



SIDE VIEW



NOTES:

Shown is the heavy duty extruded aluminum (6063-T5) ADA compliant door pull.

The door pull is clear anodized finish.

The door keeper and latch system should be mounted below the door pull.

NOTE: Job-Specific specifications for all orders are located on shop drawing layouts (Drawings are not to scale)