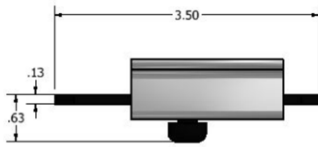


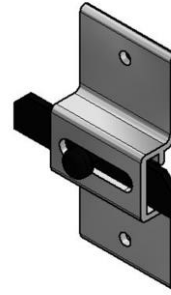
# DOOR HARDWARE

## Slide Latch

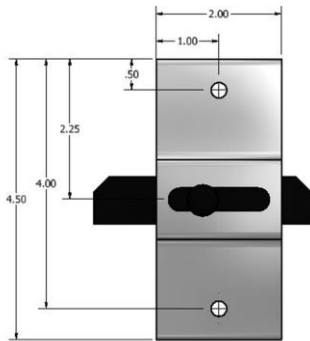
TOP VIEW



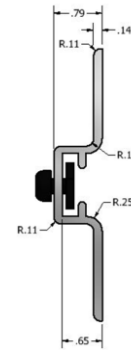
ISOMETRIC VIEW



FRONT VIEW



SIDE VIEW



### NOTES:

Shown is the heavy duty extruded aluminum (6063-T5) slide latch.

The slide latch has a clear anodized body and black anodized slide.

NOTE: Job-Specific specifications for all orders are located on shop drawing layouts (Drawings are not to scale)