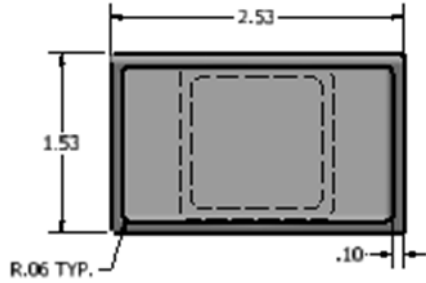


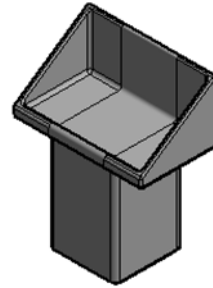
HEADRAIL

Headrail Support Cap

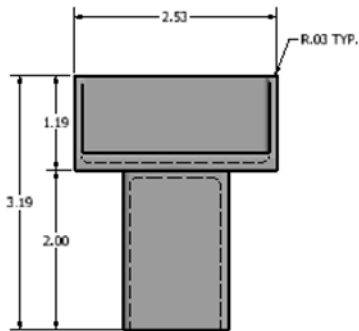
TOP VIEW



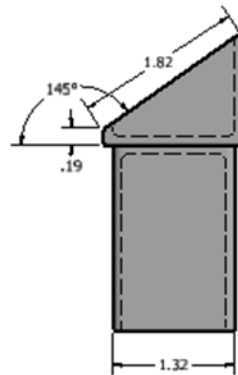
ISOMETRIC VIEW



FRONT VIEW



SIDE VIEW



NOTES:

Shown is the plastic headrail cap, made from injected molded high density polyethylene (HDPE) pigmented grey.

NOTE: Job-Specific specifications for all orders are located on shop drawing layouts (Drawings are not to scale)