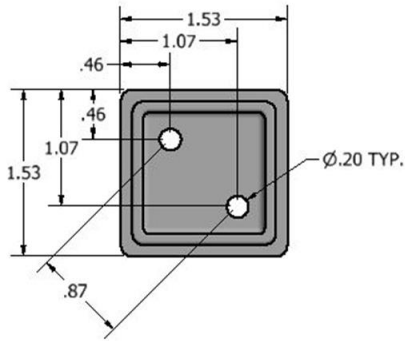


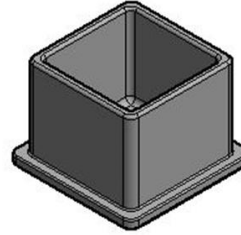
FOOT

Stanchion Post Foot

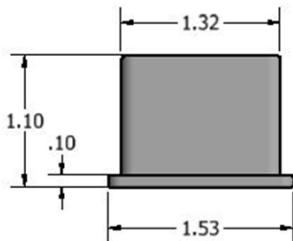
TOP VIEW



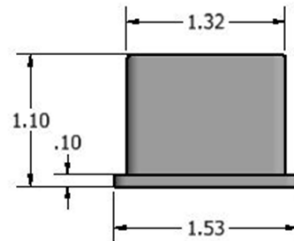
ISOMETRIC VIEW



FRONT VIEW



SIDE VIEW



NOTES:

Shown is the grey pigmented plastic foot made from injection molded high density polyethylene (HDPE).

NOTE: Job-Specific specifications for all orders are located on shop drawing layouts (Drawings are not to scale)