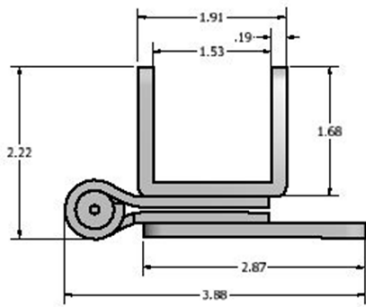


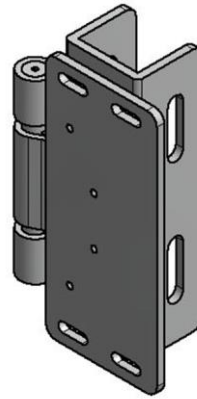
# HINGES

## ADA Outswing Hinge

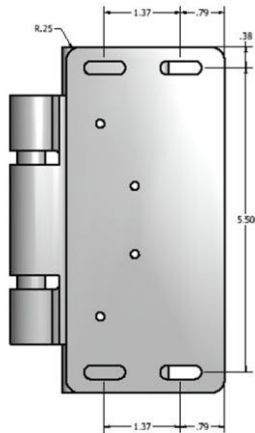
TOP VIEW



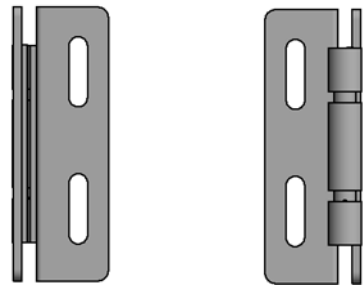
ISOMETRIC VIEW



FRONT VIEW



SIDE VIEW



Door Interior

Door Edge

### NOTES:

Shown is the heavy duty extruded aluminum (6063-T5) and chromium plated ADA outswing hinge kit as supplied by Scranton Products.

The hinge is clear anodized finish and satin brushed finish. The top and bottom hinges contain a spring with adjustable tension to ensure that the door returns fully closed.

Hinges contain a lateral and vertical adjustment for proper door alignment.

NOTE: Job-Specific specifications for all orders are located on shop drawing layouts (Drawings are not to scale)



Patent Pending