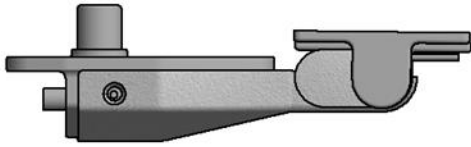


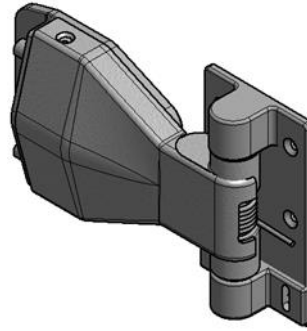
HINGES

Inswing Pivot Hinge

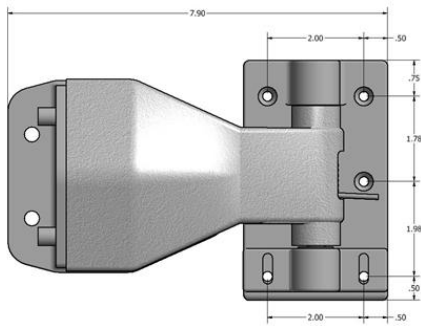
TOP VIEW



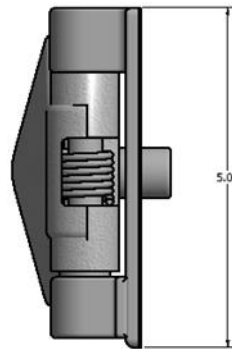
ISOMETRIC VIEW



FRONT VIEW



SIDE VIEW



NOTES:

Shown is the heavy duty die cast aluminum inswing pivot hinge as supplied by Scranton Products. This hinge is powder coated to match a clear anodized finish.

The top and bottom hinges contain a spring to ensure that the door returns fully closed.

Hinges contain a lateral and vertical adjustment for proper door alignment.

NOTE: Job-Specific specifications for all orders are located on shop drawing layouts (Drawings are not to scale)